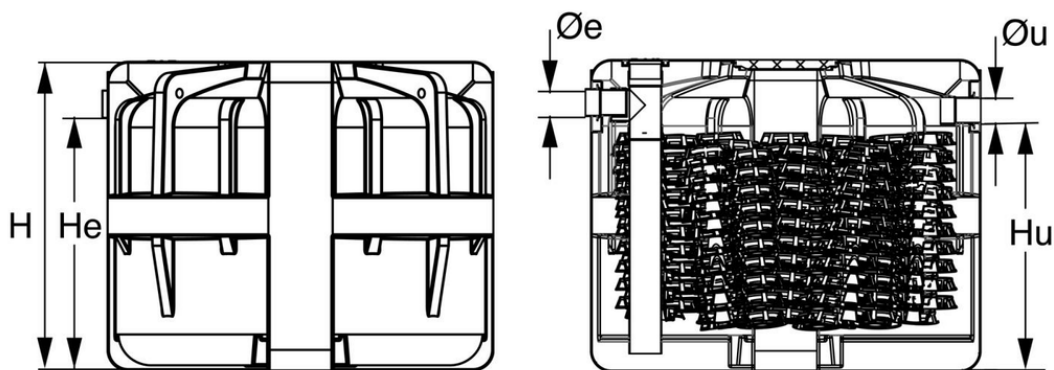
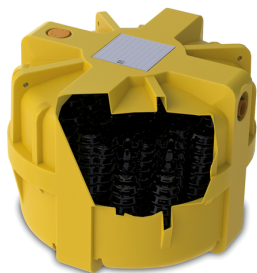


ANAPACKAGE Type HT, anaerobic percolating filter

Treatment of domestic and commercial wastewater



Reference	D (cm)	Height H (cm)	HE (cm)	HU (cm)	ØE e ØU (mm)	Capacity (litres)	Item	Users (E.I.)	Diameter Cover
IS70210	120	90	70	67	100	1.000	HT6	6	40x40 cm
IS70215	120	120	100	97	100	1.350	HT12	12	40x40 cm
IS70220	150	120	97	94	125	2.100	HT18	18	40x40 cm